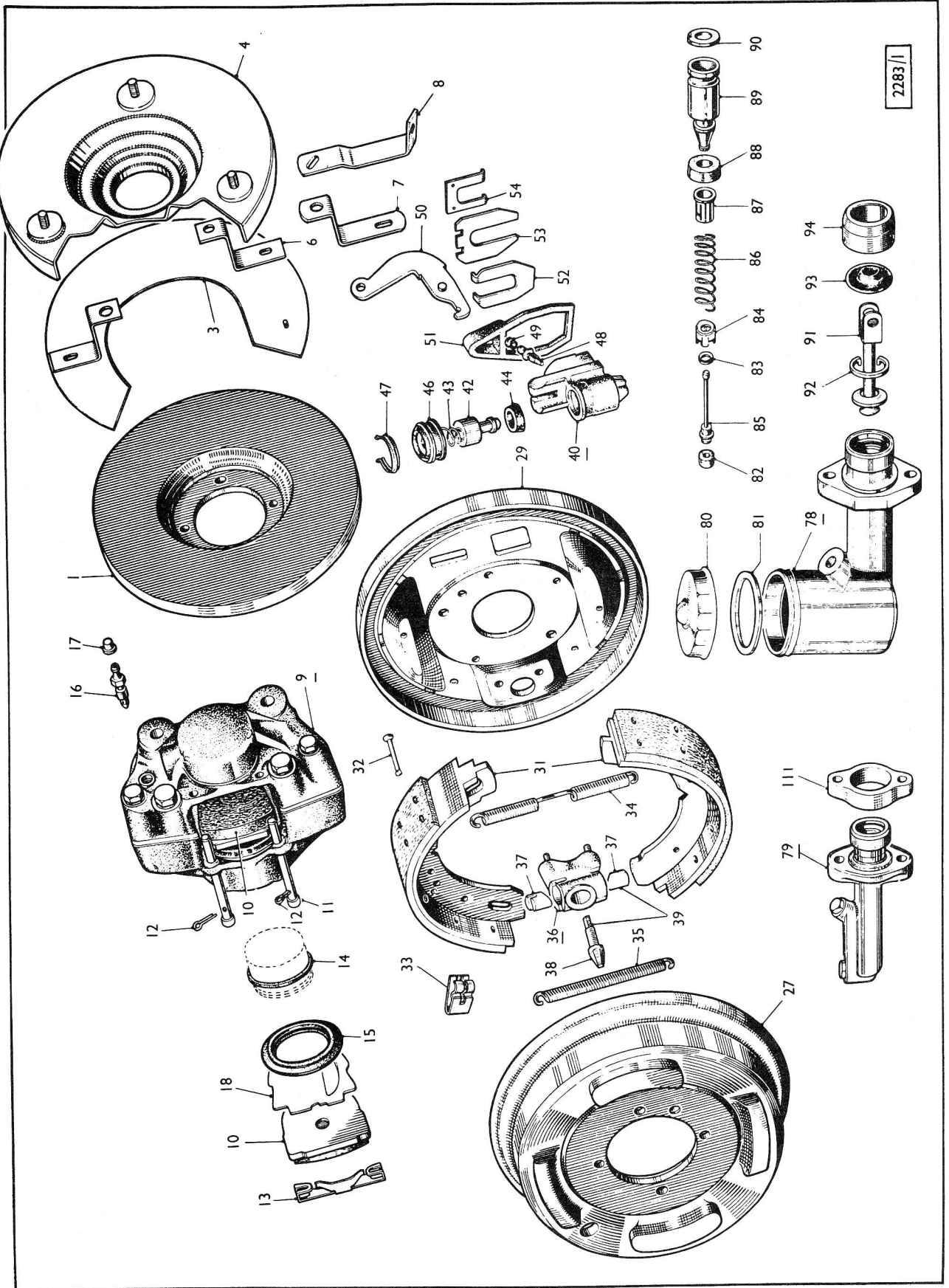


# SECTION Q

## BRAKES and CONTROLS

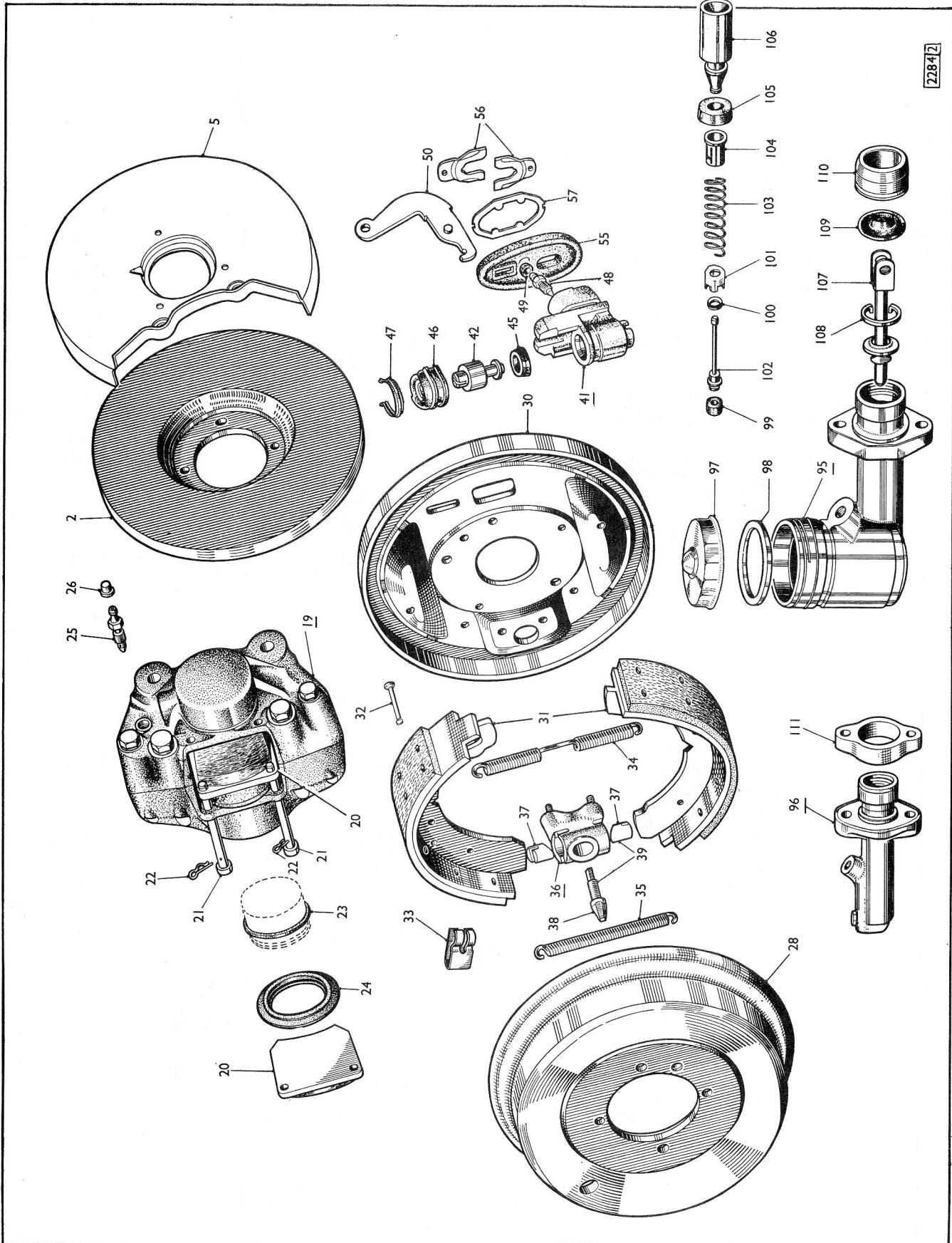
BRAKES AND CONTROLS



2283/1

PLATE A — SECTION Q

# BRAKES AND CONTROLS



22842

PLATE B — SECTION Q

BRAKES AND CONTROLS

2352/1

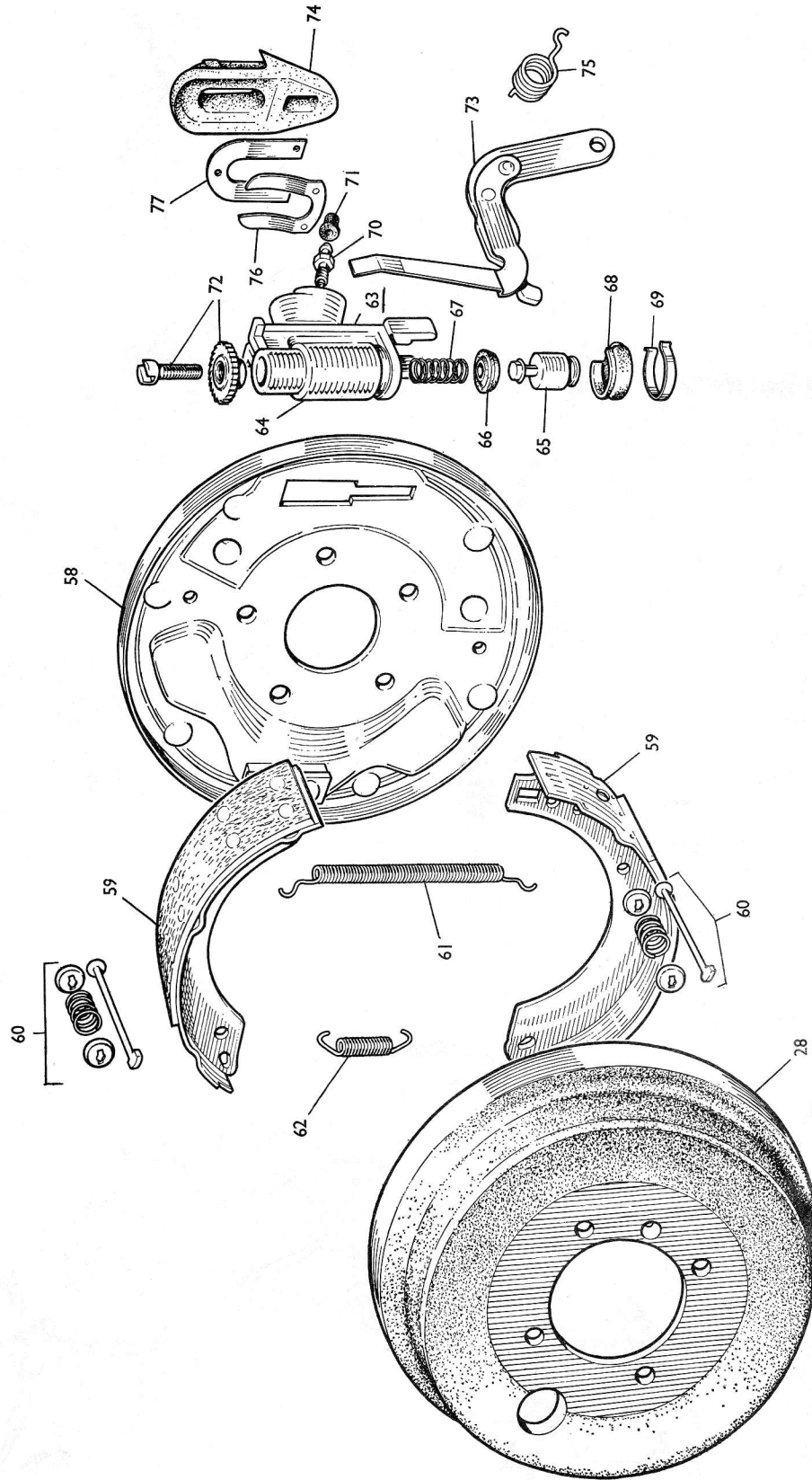


PLATE C—SECTION Q

Lit. 023

# BRAKES AND CONTROLS

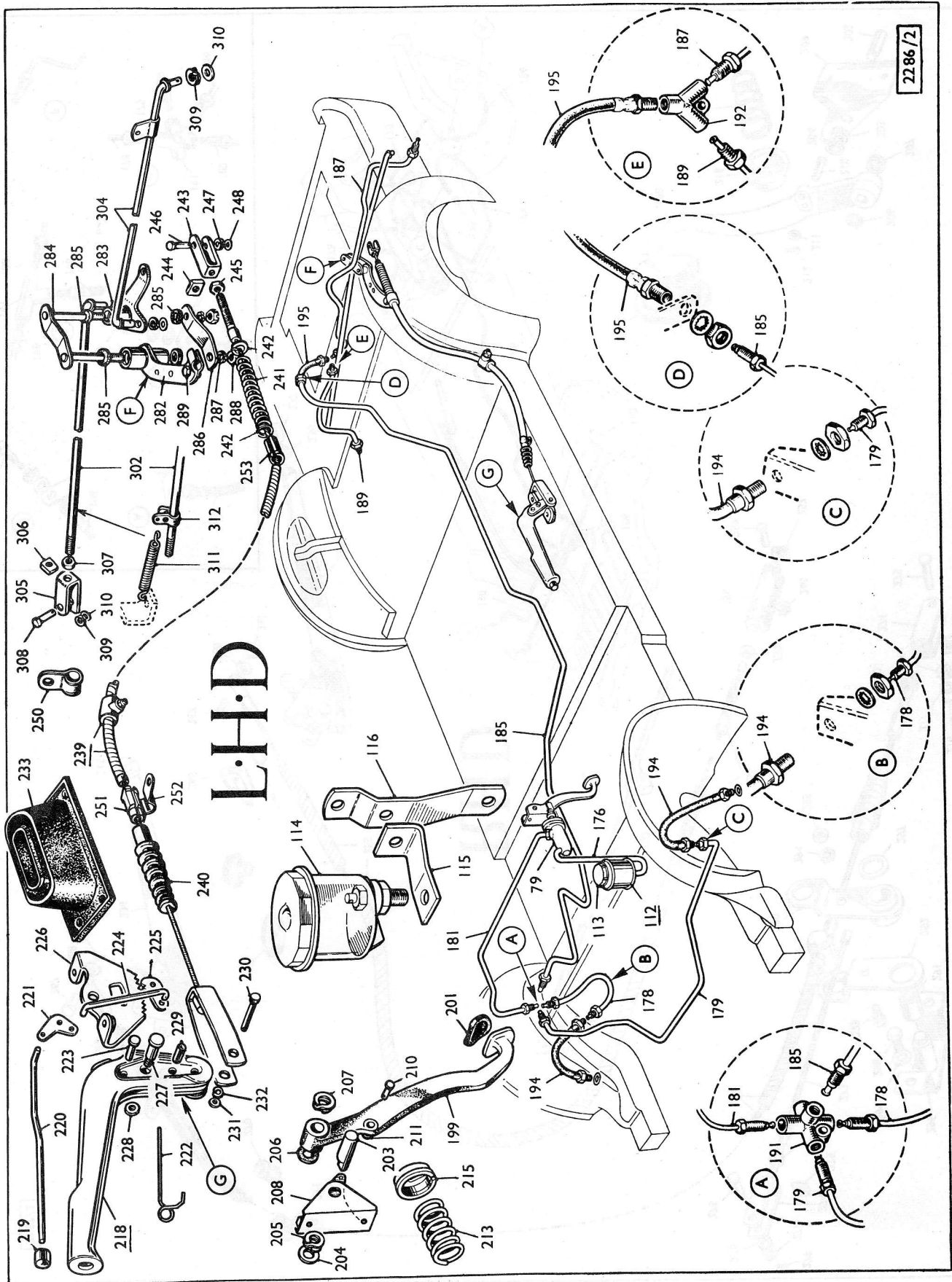


PLATE E — SECTION Q

Lit. 023

# BRAKES AND CONTROLS

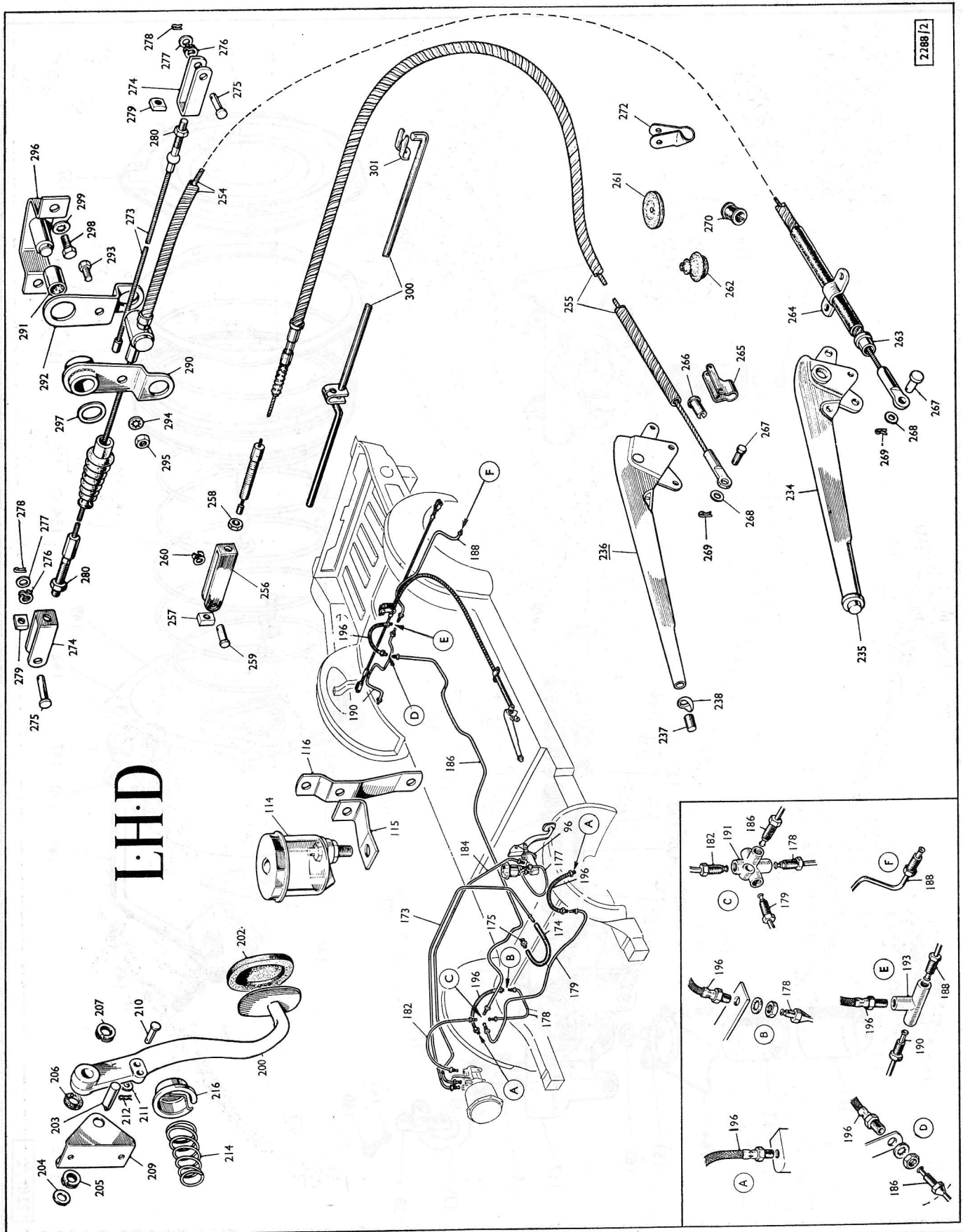


PLATE G — SECTION Q

Lit. 023

# BRAKES AND CONTROLS

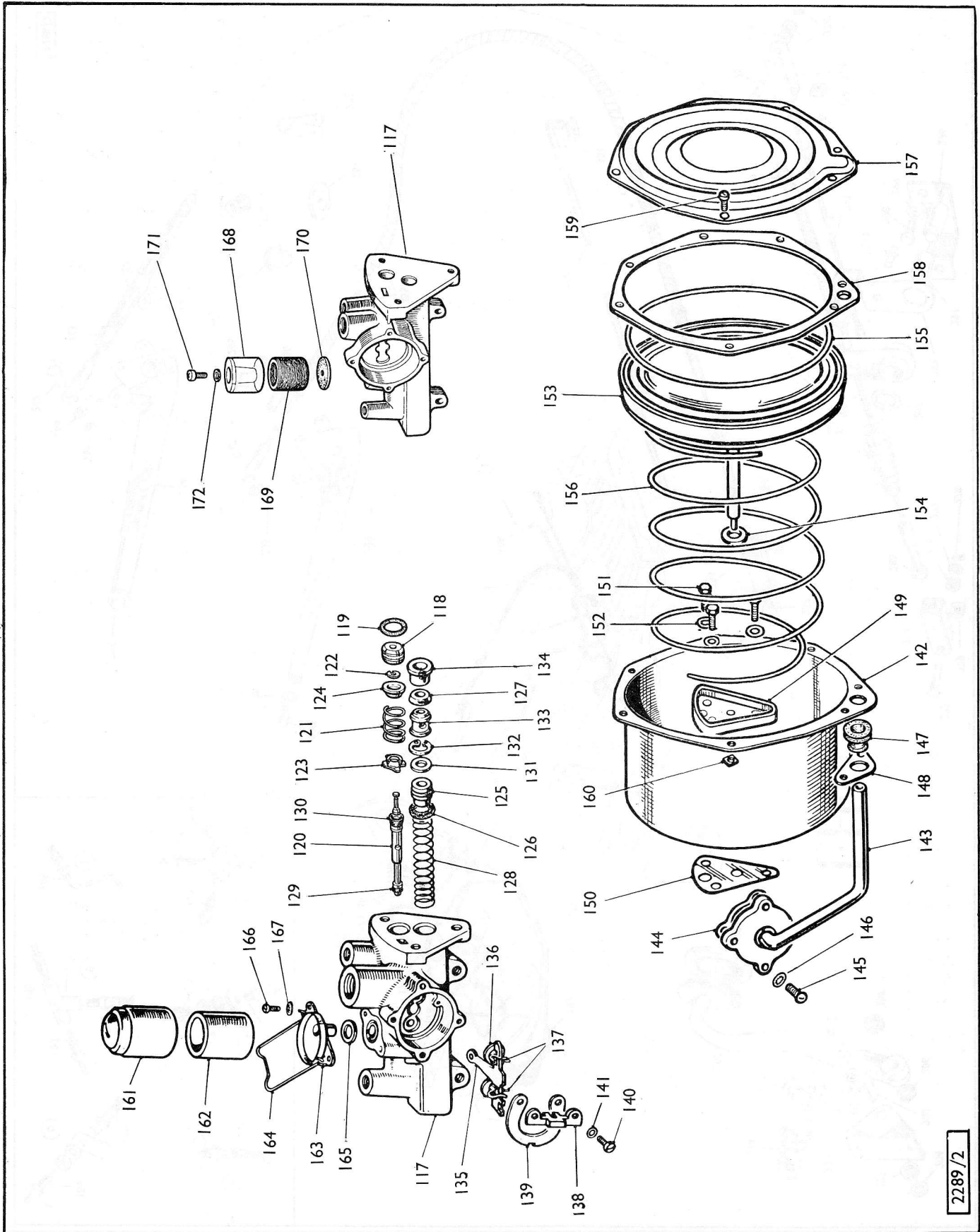


PLATE H — SECTION Q

Lit. 023

2289/2

**BRAKES AND CONTROLS**

Plate Ref.	Part Number	DESCRIPTION	No. per Veh.	REMARKS
A1	1201249	<b>BRAKE DISC—Front Brake</b> ... ..	2	Series I and II
	1201264 s/d by 9003198	Bolt, $\frac{3}{8}$ " UNF. } Brake disc ... ..	8	
	9003198	Bolt, $\frac{3}{8}$ " UNF. } to hub ... ..	8	Series II from B9104015
	1201265	Tab washer ... ..	8	
B2	1206249	<b>BRAKE DISC—Front Brake</b> ... ..	2	} Series III onwards
	9003198	Bolt, $\frac{3}{8}$ " UNF. ... } Brake disc ... ..	8	
	9660241	Washer, $\frac{3}{8}$ " spring } to hub ... ..	8	
A3	1201398 s/d by 1206152	Splash guard, O/S (R.H.) ... ..	1	} Up to B9008474 approx.
	1201399 s/d by 1206152	Splash guard, N/S (L.H.) ... ..	1	
A4	1206152	Splash guard, O/S (R.H.) and N/S (L.H.) ... ..	2	} For servicing Series I & II
B5	1206256	Splash guard, O/S (R.H.) ... ..	1	
	1206257	Splash guard, N/S (L.H.) ... ..	1	} Use with 1201398 & 1201399
A6	1201400	Bracket ... ..	2	
A7	1206114	Bracket ... } Splash guard ... ..	2	
A8	1206146	Bracket, O/S (R.H.) } ... ..	1	
	1206147	Bracket, N/S (L.H.) } ... ..	1	
	9663122 s/d by 9663123	Washer, $\frac{3}{16}$ " shakeproof ... ..	2	} Up to B9003385
	5220700	Nut, No. 10 UNF. ... ..	2	
	9510034	Nut, No. 10 UNF. Nyloc ... ..	2	} Bracket to splash guard
	9067008	Washer, $\frac{3}{16}$ " plain ... ..	2	
	9663123	Washer, No. 10 shakeproof ... ..	2	
	5220700	Nut, No. 10 UNF. ... ..	2	
	19503031	Screw, No. 10 UNF. $\times \frac{3}{8}$ " ... ..	2	
	9067008	Washer, $\frac{3}{16}$ " plain ... ..	2	
	9663123	Washer, No. 10 shakeproof ... ..	2	
	19504033	Screw, $\frac{1}{4}$ " UNF. $\times \frac{3}{8}$ " } Splash guard ... ..	6	} Series III onwards
	9664163	Washer, $\frac{1}{4}$ " shakeproof } to carrier ... ..	6	
	1201260 s/d by 5043689	<b>CALIPER</b> ... ..	1	} Series I and II
	1206224 s/d by 5043689	<b>CALIPER</b> } O/S ... ..	1	
	1206486 s/d by 5043689	<b>CALIPER</b> } (R.H.) ... ..	1	
A9	5043689	<b>CALIPER</b> ... ..	1	
	1201261 s/d by 5043690	<b>CALIPER</b> ... ..	1	
	1206225 s/d by 5043690	<b>CALIPER</b> } N/S ... ..	1	
	1206487 s/d by 5043690	<b>CALIPER</b> } (L.H.) ... ..	1	
	5043690	<b>CALIPER</b> ... ..	1	
A10	5037343	Friction pad (Car set of 4) ... ..	1	} Series I and II
A11	5037344	Retaining pin ... ..	4	
A12	5037345 s/d by 9830506	Spring clip ... ..	4	
A13	1206455	Damping spring ... ..	4	
		†Piston ... ..	4	
A14	5037348	†*Piston ring ... ..	4	
A15	5037349	†*Rubber cap ... ..	4	
A16	5037346	Bleeder screw ... ..	2	
A17	K.21836	*Dust cap—Bleeder screw ... ..	2	
	1206222 s/d by 1206503	Shim } Anti-squeal ... ..	4	
	1206503	Shim ... ..	4	
A18	5037347	<b>CALIPER REPAIR KIT (Car set) (includes items *)</b> ... ..	1	
	5039759	<b>CALIPER REPAIR KIT (Includes items †)</b> ... ..	4	



BRAKES AND CONTROLS

Plate Ref.	Part Number	DESCRIPTION	No. per Veh.	REMARKS
B19	1206254 s/d by 5043687	CALIPER, O/S (R.H.)	1	} Series III onwards
	1206255 s/d by 5043688	CALIPER, N/S (L.H.)	1	
	5043687	CALIPER, O/S (R.H.) } Less	1	
	5043688	CALIPER, N/S (L.H.) } friction pads	1	
B20	5041087	Friction pad (Car set of 4)	1	} Series III, IV and V up to intro. 5044372 and 5059517
	5059516	Friction pad (Car set of 4)—Pennsylvania Regulations	1	
	5044372 s/d by 5058302	Friction pad (Car set of 4)	1	
	5058302	Friction pad (Car set of 4)	1	} Series V from B395003137 Knock-on Road Wheels; B395003137 Standard Road Wheels; B382001283 Tiger 260, up to intro. 5058302
	5059517	Friction pad (Car set of 4)—Pennsylvania Regulations	1	
B21	5037344	Retaining pin	4	} Std. Disc Wheels; B395012981 Std. W/W; B395013652 O/D Disc Wheels; B395013029 O/D W/W; B382002538 Tiger 260
B22	5037345 s/d by 9830506	Spring clip	4	
		øPiston		} Not supplied
B23	5037348	†øPiston ring	4	
B24	5037349	†øRubber cap	4	
B25	5037346	Bleeder screw	2	
B26	K.21836	†Dust cap—Bleeder screw	2	
	1236608	Shim—Anti-squeal	4	
	1224460	Damping spring	2	} Service replacement
	5037347	CALIPER REPAIR KIT (Car set) (Includes items †)	1	
	5039759	CALIPER PISTON KIT (Includes items ø)	4	} Series III onwards
		Note. A set of replacement Calipers and Friction Pads is available in part exchange for the original.		
	19107113	Bolt, 7/16" UNF. × 1 3/8"	2	} Series I and II
	19507103	Screw, 7/16" UNF. × 1 1/4"	2	
	9664282	Washer, 7/16" shakeproof	2	} Caliper to carrier
	9067500	Packing washer	6	
	1200395 s/d by 1205052	BRAKE DRUM	2	
A27	1205052	BRAKE DRUM } Rear	2	} Series I and II
	1216869	BRAKE DRUM	2	
BC28	39104080 s/d by 39114081	Screw, 1/4" UNF. × 1/2"	2	} Series III onwards
	39114081	Screw, 1/4" UNF. × 1/2"	2	
		Drum to Hub		} Std. Road Wheels Series I, II and III
	9003209	Bolt	8	
	1201409	Tab washer	4	} Std. Road Wheels Series IV onwards
				} Knock-on Road Wheels

BRAKES AND CONTROLS

Plate Ref.	Part Number	DESCRIPTION	No. per Veh.	REMARKS
<b>SERIES I, II, III and IV</b>				
A29	1200467 s/d by 1215576 1200468 s/d by 1215577	<b>BRAKE UNIT—Rear</b> Back plate, O/S (R.H.) Back plate, N/S (L.H.)	1 1	Not supplied Series I and II
B30	1215576 1215577	Back plate, O/S (R.H.) Back plate, N/S (L.H.)	1 1	Series III and IV
AB31	5037683 s/d by 5059518 5059518 5037684 s/d by 5040194 5040194 5059534 5037550	Brake shoe c/w lining Brake shoe c/w lining—Pennsylvania Regulations Lining } Lining } Brake Lining } shoe Rivet }	2 pr. 2 pr. 4 1 1 40	
AB32	5037361 5037362 s/d by 5039708	Steady pin } Spring clip } Break steady pin	4 4	Not supplied
AB33	5039708	Spring clip }	4	
AB34	5037351	Return spring (cylinder end)	2	Series I and II
AB35	5037352	Return spring (adjuster end)	2	
AB36	5037358	<b>ADJUSTER UNIT</b> Housing Adjuster fixing stud	2	Series III and IV
AB37	5037359 s/d by 5041092	Tappet	4	Series I and II
AB38	5037360 s/d by 5041092	Wedge	2	
AB39	5041092 9664163 9510040 5037675 s/d by 5039709	Adjuster unit kit Washer, 1/4" shakeproof } Adjuster to Nut, 1/4" UNF. } back plate	1 4 4	Series III and IV
A40	5039709	<b>WHEEL CYLINDER</b>	2	Series I and II up to intro. 5039709 Series II from B9108404 R.H.D. B9108434 L.H.D.
B41	5041275	<b>WHEEL CYLINDER</b>	2	Series III and IV
AB42	5037677	Body Piston Spring } Piston } Alternatives	2	Not supplied Up to B9108403 R.H.D. B9108433 L.H.D.
A43	5039710	Spring }	2	Series I and II
A44	5037676	**Seal	2	
B45	5041276	†Seal	2	Series III and IV
AB46	5220190	†**Dust cover	2	Series I and II
AB47	K.30068	†**Retainer	2	
AB48	K.28714	Bleed screw	2	Series III and IV
AB49	K.21836	†**Dust cap—Bleed screw	2	
AB50	5037355	Lever—Handbrake	2	Series I and II
A51	K.30072	Dust cover—Lever	2	
A52	K.30070	Spring plate	2	
A53	5037356	Retaining plate	2	
A54	5037357	Distance washer	2	
		Wheel } cylinder }		

BRAKES AND CONTROLS

Plate Ref.	Part Number	DESCRIPTION	No. per Veh.	REMARKS
<b>REAR BRAKE UNIT—Series I, II, III and IV—continued</b>				
B55	5041104	Dust cover—Lever	2	} Series III and IV
B56	5041105	Retaining plate	4	
B57	5041106	Locking plate	2	
	5037678	<b>WHEEL CYLINDER REPAIR KIT (Car set)</b>	1	Includes items **
	5041277 s/d by 5043684	<b>WHEEL CYLINDER REPAIR KIT (Car set)</b>	1	Includes items †
<b>SERIES V</b>				
<b>BRAKE UNIT—Rear</b> ... ..				
C58	5044752	Back plate, O/S (R.H.)	1	Not supplied; Up to— See Note, page Q5
	5044751	Back plate, N/S (L.H.)	1	
C59	5044325 s/d by 5059519	Brake shoe c/w lining	2 prs.	(Car set of 4)
	5044327	Linings } Brake	1	
	5044328	Rivets } shoe	40	
	5058303 s/d by 5059519	Brake shoe c/w lining	2 prs.	(Car set of 4)
	5058304	Linings and rivets—Brake shoe	1	
	5059519	Brake shoe c/w lining—Pennsylvania Regulations	2 prs.	(Car set of 4)
	5059535	Linings and rivets—Brake shoe	1	
<b>Note.</b> A pair of replacement Brake Shoes is available in part exchange for the original.				
C60	5044746	Steady pin kit	4	} Not supplied
C61	5044329	Return spring (Cylinder end)	2	
C62	5044330	Return spring (Abutment end)	2	
C63	5044335	<b>WHEEL CYLINDER</b>	2	
C64		Body		
C65		Piston		
C66	5041276	*Seal	2	
C67	5044337	Spring	2	
C68	5044338	*Dirt excluder	2	
C69	7080193	Retaining clip—Dirt excluder	2	
C70	K.28714	Bleed screw	2	
C71	K.21836	*Dirt excluder—Bleed screw	2	
	5044336	<b>WHEEL CYLINDER KIT</b>	1	Includes items *
	5044331	Adjuster wheel assembly, N/S (L.H.)	1	
C72	5044332	Adjuster wheel assembly, O/S (R.H.)	1	
	5044749	Operating lever, N/S (L.H.)	1	
C73	5044750	Operating lever, O/S (R.H.)	1	
C74	5044333	Dust cover—Lever	2	
	5044747	Pull off spring, N/S (L.H.) } Operating	1	
C75	5044748	Pull off spring, O/S (R.H.) } lever	1	
C76	7080027	Spring plate ... } Wheel cylinder	2	
C77	7080028	Retaining plate } fixings	2	
<b>BRAKE UNIT—Rear</b> ... ..				
	1215576	Back plate, O/S (R.H.)	1	Not supplied; From— See Note, Page Q5
	1215577	Back plate, N/S (L.H.)	1	
	5059518	Brake shoe c/w lining—Pennsylvania Regulations	2 prs.	(Car set of 4)
	5059534	Linings and rivets—Brake shoe	1	
<b>Note.</b> A pair of replacement Brake Shoes is available in part exchange for the original.				

**BRAKES AND CONTROLS**

Plate Ref.	Part Number	DESCRIPTION	No. per Veh.	REMARKS
		<b>BRAKE UNIT—REAR—Series V—continued</b>		
	5037361	Steady pin ... ..	4	
	5039708	Spring clip ... ..	4	
	5037351	Return spring (cylinder end) ... ..	2	
	5037352	Return spring (adjuster end) ... ..	2	
	5037358	<b>ADJUSTER UNIT</b> ... ..	2	
		Housing ... ..		} Not supplied
		Adjuster fixing stud ... ..		
	5041092	Adjuster unit kit ... ..	1	
	5041275	<b>WHEEL CYLINDER</b> ... ..	2	
		Body ... ..		} Not supplied
		Piston ... ..		
	5041276	†Seal ... ..	2	
	5220190	†Dust cover ... ..	2	
	K.30068	†Retainer ... ..	2	
	K.28714	Bleed screw ... ..	2	
	K.21836	†Dust cap ... ..	2	
	5037355	Lever—Handbrake ... ..	2	
	5041104	Dust cover ... ..	2	
	5041105	Retaining plate } Wheel cylinder ... ..	4	
	5041106	Locking plate } ... ..	2	
	5041277	s/d by 5043684 <b>WHEEL CYLINDER REPAIR KIT (Car set)</b> ... ..	1	Includes items †
		<b>Note. SERIES V MODELS.</b> B395017553 Std. Trans. Std. Wheels; B395017552 Std. Trans. Wire Wheels; B395017587 O/D Trans. Std. Wheels; B395018075 O/D Trans. Wire Wheels: Except B395017888; B395017894; B395017898/9; B395017967; B395017904; B395017932; B395017959; B395017912; B395017929; B395017938; B395017897; B395017896; B395017924; B395017966.		
		<b>SERIES I and II</b>		
AD78	1201339	<b>MASTER CYLINDER</b> } R.H.D. ... ..	1	
	1206072	<b>MASTER CYLINDER</b> } ... ..	1	
	1201490	<b>MASTER CYLINDER</b> } L.H.D. ... ..	1	Series I
AE79	1206079	<b>MASTER CYLINDER</b> } ... ..	1	Series II
		Body ... ..		Not supplied
A80	5037363	Filler cap ... ..	1	
A81	5037364	Gasket—Filler cap } R.H.D. ... ..	1	
A82	5030670	*†Valve seal ... ..	1	
A83	5030672	*†Spring washer—Valve seal ... ..	1	
A84	5030671	Valve spacer ... ..	1	
A85	5030669	Valve stem ... ..	1	
A86	5030668	Spring ... ..	1	
	5038500	*Spring (For cylinders without taper seal) ... ..	1	
	5220156	Spring retainer ... ..	1	Series I
A87	5038424	Spring retainer ... ..	1	Series II
A88		†Seal (For cylinders with taper seal) ... ..		} Not supplied
A89		Plunger ... ..		

BRAKES AND CONTROLS

Plate Ref.	Part Number	DESCRIPTION	No. per Veh.	REMARKS
<b>MASTER CYLINDER—Series I and II—continued</b>				
A90	5037367 s/d by 5040706	†Taper seal ... ..	1	No longer available—See Kit
	5030673 s/d by 5039062	Push rod ... ..	1	
	5039062	Push rod ... ..	1	Series I
A91	5038425	Push rod ... ..	1	
	5030674 s/d by 9207208	Circlip ... ..	1	Series II
A92	9207208	*†Circlip ... ..	1	
	5037368 s/d by 5041400	*†Dust cover ... ..	1	Series I & II includes items †
A93	5041400	*†Dust cover ... ..	1	
A94	5037369	*†Dust cover retainer ... ..	1	Includes items *
	5037370 s/d by 5040706	MASTER CYLINDER REPAIR KIT ... ..	1	
	5040706	MASTER CYLINDER REPAIR KIT ... ..	1	
<b>SERIES III, IV and V</b>				
BF95	1206366	MASTER CYLINDER—R.H.D. ... ..	1	Series III up to intro. 1206611
BG96	1206703	MASTER CYLINDER—L.H.D. ... ..	1	
	1206611	MASTER CYLINDER—L.H.D.—c/w Visual Fluid Reservoir Indicator ... ..	1	Series III from B9203887 G.T., B9204718 Soft Top, B9250157 CKD—South Africa—& Series IV only
	1235648	MASTER CYLINDER—L.H.D. ... ..	1	
		Body ... ..		Series V Not supplied
B97	5037363	Filler cap ... ..	1	
B98	5037364	Gasket—Filler cap } R.H.D. ... ..	1	
	5037365 s/d by 5030670	Valve seal ... ..	1	
B99	5030670	ø†Valve seal ... ..	1	
B100	5030672	ø†Spring washer ... ..	1	
B101	5030671	Valve spacer ... ..	1	
B102	5030669	Valve stem ... ..	1	
B103	5038500	†Spring ... ..	1	
B104	5038424	Spring retainer ... ..	1	
B105	5038513	øSeal ... ..	1	For Cyl. 1206366, 1206611 and 1235648
	5041401	†Seal ... ..	1	
B106		Plunger ... ..		For Cylinder 1206703 Not supplied
B107	5041108	Push rod ... ..	1	
B108	5220158	øCirclip ... ..	1	For Cylinders 1206366 and 1206611
B109	5041107	øDust cover ... ..	1	
B110	5030713	Dust cover retainer ... ..	1	
	5038425	Push rod ... ..	1	For Cylinder 1206703
	9207208	†Circlip ... ..	1	
	5041400	†Dust cover ... ..	1	
	5037369	Dust cover retainer ... ..	1	
	5044237	Push rod ... ..	1	For Cylinder 1235648
	5220158	Circlip ... ..	1	
	5041107	Dust cover ... ..	1	
	5030713	Dust cover retainer ... ..	1	

**BRAKES AND CONTROLS**

Plate Ref.	Part Number	DESCRIPTION	No. per Veh.	REMARKS
		<b>MASTER CYLINDER—L.H.D.—Series III, IV &amp; V—continued</b>		
	1224162	Visual fluid level indicator—L.H.D. ... ..	1	For Cylinder 1206611
	5042706	Filler cap—L.H.D. ... ..	1	
	5038514	<b>MASTER CYLINDER REPAIR KIT</b> ... ..	1	Includes items ø For Cylinders 1206366, 1206611 and 1235648
	5041419	<b>MASTER CYLINDER REPAIR KIT</b> ... ..	1	
		<b>Note.</b> A replacement Master Cylinder is available in part exchange for the original.		Includes items †. For Cylinder 1206703
AB111	1201476	Packing piece—Master cylinder ... ..	1	
		<b>SERIES I, II, III, IV and V</b>		
E112	1201491 s/d by 1201646	<b>SUPPLY TANK—L.H.D.</b> ... ..	1	Series I and II except France
E113	1201646	<b>SUPPLY TANK—L.H.D.</b> ... ..	1	
	K.20239 s/d by 5041019	Filler cap ... ..	1	
	K.28865 s/d by 9122249	Gasket } Filler ... ..	1	
	5039059 s/d by 9122249	Gasket } cap ... ..	1	
	5037371	Adaptor—Tank to pipe ... ..	1	
	1206357 s/d by 1224162	Fluid level indicator—L.H.D. ... ..	1	Series I & II France only Series III
	1206538 s/d by 1224162	<b>VISUAL FLUID LEVEL INDICATOR—L.H.D.</b> ... ..	1	
EG114	1206538 s/d by 1224162	<b>VISUAL FLUID LEVEL INDICATOR—L.H.D.</b> ... ..	1	
	1224162	<b>VISUAL FLUID LEVEL INDICATOR—L.H.D.</b> ... ..	1	Up to B9203886 G.T., B9204717 Soft Top, B9250156 CKD S/Africa
	5042706	Filler cap—Visual fluid level indicator—L.H.D. ... .. <b>Note.</b> On later models the above indicator is included in Cylinder 1206611.	1	
EG115	1206550	Bracket } Fluid level ... ..	1	Up to B9201599 From B9201600 up to B9203886 G.T., B9204717 Soft Top, B9250156 CKD South Africa
	1206705 s/d by 1206550	Bracket } indicator ... ..	1	
	1046984	Clip } ... ..	1	Series I & II except France
	39033140	Screw } Supply tank—L.H.D. ... ..	1	
	9600521	Nut } ... ..	1	
	1201473	Bracket ... ..	1	Series I and II up to B9104187
	19504031	Screw, ¼" UNF. × ⅜" } Supply tank clip	3	
	9664163	Washer, ¼" shakeproof } to wheel arch	1	
	9510040	Nut, ¼" UNF. ... } ... ..	1	
EG116	1206214	Bracket ... ..	1	Series II from B9104188 and Series III up to B9201599
	19504031	Screw, ¼" UNF. × ⅜" } Supply tank clip	1	
	9664163	Washer, ¼" shakeproof } to bulkhead	1	
	9510040	Nut, ¼" UNF. ... } ... ..	1	
	1224162	<b>VISUAL FLUID LEVEL INDICATOR—L.H.D.</b> ... ..	1	Series V, L.H.D.
	5042706	Filler cap—Visual fluid level indicator—L.H.D. ... ..	1	
	9664243	Washer, ⅜" shakeproof } Visual fluid	1	
	9520061	Nut, ⅜" UNF. ... } level indicator	1	
	1235745	Bracket—Fuel level indicator ... ..	1	
	19105241	Bolt, ⅝" × 3" } Bracket to bulkhead and	1	
	9068013	Washer, ⅝" plain } fulcrum bracket—Upper	1	

BRAKES AND CONTROLS

Plate Ref.	Part Number	DESCRIPTION	No. per Veh.	REMARKS
	5040220	<b>SERVO UNIT</b> ... .. <b>Note.</b> A replacement Servo Unit is available in part exchange for the original.	1	Series II Le-Mans
	5040223	Support bracket } Servo	1	Series II Le-Mans
	5040222	Steady bracket } unit	1	
	19605051	Screw, $\frac{5}{16}$ " UNC. $\times$ $\frac{5}{8}$ "	2	
	5220684	Screw, $\frac{5}{16}$ " UNF. $\times$ $\frac{5}{8}$ "	3	
	5200482	Washer, $\frac{5}{16}$ " plain } Servo bracket	1	
	9067486	Washer, $\frac{5}{16}$ " plain } fixings	3	
	9661203	Washer, $\frac{5}{16}$ " spring	6	
	5220701	Nut, $\frac{5}{16}$ " UNF.	4	
	9166254	Vacuum hose—Manifold to servo	1	
	9782121	Hose clip	2	
	9176065	Retaining clip—Hose	1	
	5040240	Connection—Vacuum hose to manifold (straight)	1	
	5039756	s/d by K.21836 Sealing cup—Rubber	1	
	9169024	Connection—Vacuum hose to servo (elbow)	1	
	9160624	<b>HYDRAULIC PIPE ASSEMBLY (12" long)</b>	1	
	9160696	<b>HYDRAULIC PIPE ASSEMBLY (48" long)</b>	1	
	9217318	Adaptor, $\frac{1}{2}$ " UNF. } Hydraulic	1	
	9159232	Banjo ... } pipes	1	
	9159520	Bolt, $\frac{1}{2}$ " UNF.—Banjo	1	
	9077037	Copper washer (large)	1	
	9077030	Copper washer (small)	2	
	9178662	Clip—Pipes	2	
	P.116064	Check valve—Brake servo	1	Fitted to induction (intake) manifold, Series II Le-Mans
	9077040	Gasket—Check valve	1	
	1206368	s/d by 1228657 <b>SERVO UNIT</b>	1	
	1228657	<b>SERVO UNIT</b> ... .. <b>Note.</b> A replacement Servo Unit is available in part exchange for the original.	1	Series III and IV up to B9402898 Soft Top, B9402920 G.T. Series IV from B9402899 Soft Top, B9402921 G.T. up to intro. of 1224548
H117		Body		Not supplied
H118	5039388	**Plug	1	
H119	5037755	s/d by 9122226 *Seal—Plug	1	
H120	5039332	**Piston—Valve operating—Servo	1	
H121		**Spring		Not supplied
H122	9206014	**Circlip } Operating	1	
H123	5039329	**Abutment } piston	1	
H154	5039330	**Retainer }	1	
H125		*Piston—Output		Not supplied
H126	5030686	*Seal—Output piston	1	
H127	9109007	*Gland seal—Piston rod	1	
H128		Spring		Not supplied
H129	5041204	*Seal (small) } Piston	1	
H130	5040288	*Seal (large) }	1	
H131		Stop washer		Not supplied
H132	5040279	*Circlip—Piston abutment	1	

BRAKES AND CONTROLS

Plate Ref.	Part Number	DESCRIPTION	No. per Veh.	REMARKS
		<b>SERVO UNIT—continued</b>		
H133		Spacer—Seal ... ..		} Not supplied
H134		Bush ... ..		
H135		Rocking lever } Servo ... ..		
H136		Plate valve } ... ..		
	5042421	Coil spring—Servo plate spring ... ..	1	From B9402899 Soft Top, B9402921 G.T.
H137	5039335	Clip—Valve ... ..	2	} Not supplied
H138		Guide—Rocking lever ... ..		
H139	5039336	Spring—Valve ... ..	1	
H140	39413061	Screw, No. 10 UNF. $\times \frac{3}{8}$ " } Rocking lever	2	} Not supplied
H141	9077070	Washer, 2 BA copper } guide ... ..	2	
H142		Vacuum cylinder ... ..		Not supplied
H143	5041112	Vacuum pipe assembly ... ..	1	Up to 5042971
	5042971	Vacuum pipe assembly ... ..	1	From B9402899 Soft Top, B9402921 G.T.
H144	5039385	*Gasket ... ..	1	} Not supplied
H145	39413061	Screw, No. 10 UNF. $\times \frac{3}{8}$ " } Vacuum pipe to cylinder	4	
H146	9663123	Washer, $\frac{3}{16}$ " shakeproof } ... ..	4	
H147	9119530	*Rubber grommet—Vacuum pipe ... ..	1	
H148	5037758	Retaining plate—Grommet ... ..	1	
H149	5039344	Clamping plate—Servo ... ..	1	
H150	5037760	*Gasket—Clamping plate ... ..	1	
H151	5220167	Screw, $\frac{5}{16}$ " UNF. $\times \frac{11}{16}$ " ... ..	3	
H152	9077015	*Washer, $\frac{11}{16}$ " copper ... ..	3	
H153		Vacuum piston and rod ... ..		
H154	9079100	Nylon washer—Piston ... ..	1	} Not supplied
H155	5041113	*Locking ring—Vacuum piston seal ... ..	1	
H156	5041114	Return spring—Vacuum piston ... ..	1	Up to 5042972
	5042972	Return spring—Vacuum piston ... ..	1	From B9402899 Soft Top, B9402921 G.T.
H157	5041115	End cover—Vacuum cylinder ... ..	1	} Not supplied
H158	5041116	*Gasket ... ..	1	
H159	39413061	Screw, No. 10 UNF. $\times \frac{3}{8}$ " } End cover to cylinder body	7	
H160	9564031	Nut, No. 10 UNF. (square) ... ..	7	
H161	5037753	Cover—Element ... ..	1	
H162	5037754	*Element ... ..	1	
H163		Base—Element } Servo ... .. (Not supplied)		
H164	5037856	Clip—Cover ... ..	1	
H165	9122207	Rubber washer ... .. (No longer available)	1	
H166	39413061	Screw, No. 10 UNF. $\times \frac{3}{8}$ " } Servo	2	
H167	9663123	Washer, $\frac{3}{16}$ " shakeproof } to body ... ..	2	
H168	5042423	Cover—Element ... ..	1	
H169	5042424	Element ... ..	1	
H170	5042970	Seal—Cover ... ..	1	
H171	39413061	Screw, No. 10 UNF. $\times \frac{3}{8}$ " ... ..	1	
H172		Washer ... .. (Not supplied)		
		Plugs—Servo to body ... ..		Not supplied
	5041118 s/d by 5042973	<b>SERVO REPAIR KIT (Includes items *)</b> ... ..	1	Up to 5042973
	5042973	<b>SERVO REPAIR KIT (includes items * less Element)</b> ... ..	1	From B9402899 Soft Top, B9402921 G.T. up to B395004057
	5041117	<b>SERVO PISTON REPAIR KIT (Includes items **)</b> ... ..	1	Series III, IV and V up to B395004057



BRAKES AND CONTROLS

Plate Ref.	Part Number	DESCRIPTION	No. per Veh.	REMARKS
	1224548	VACUUM SERVO UNIT ... ..	1	Series V from B385004058 and B392001285 Tiger "260" Not supplied
		Body ... ..		
	5039388	†Plug ... ..	1	
	9122226	*Seal—Plug ... ..	1	
	5039332	†Piston—Valve operating servo ... ..		} Not supplied
		†Spring ... ..		
	9206014	†Circlip } Operating ... ..	1	
	5039329	†Abutment } piston ... ..	1	
	5039330	†Retainer } ... ..	1	
		*Piston—Output ... ..		Not supplied
	5030686	*Seal—Output piston ... ..	1	
	9109007	*Gland seal—Piston rod ... ..	1	
		Spring ... ..		Not supplied
	5040287	*Seal—Small } Piston ... ..	1	
	5040288	*Seal—Large } ... ..	1	
		Stop washer } ... ..		Not supplied
	5040799	*Circlip—Piston abutment ... ..	1	
		Spacer—Seal ... ..		} Not supplied
		Bush ... ..		
		Rocking lever } Servo ... ..		
		Plate valve } ... ..		
	5042421	Coil spring—Plate valve ... ..	2	
	5039335	Clip—Valve ... ..	2	
		Guide—Rocking lever ... ..		Not supplied
	5039336	Spring—Valve ... ..	1	
	39413061	Screw, No. 10 UNF. × $\frac{3}{8}$ " } Rocking lever ... ..	2	
	9077070	Washer, 2 BA copper } guide ... ..	2	
	5039342	Vacuum cylinder ... ..	1	
	5042422	Vacuum pipe assembly ... ..	1	
	5039385	*Gasket—Vacuum pipe to cylinder ... ..	1	
	39413061	Screw, No. 10 UNF. × $\frac{3}{8}$ " } Vacuum pipe ... ..	4	
	9663123	Washer, $\frac{3}{16}$ " shakeproof } to cylinder ... ..	4	
	9119530	*Rubber grommet—Vacuum pipe ... ..	1	
	5039339	Retaining plate—Grommet ... ..	1	
	5039344	Clamping plate—Servo ... ..	1	
	5037760	*Gasket—Clamping plate ... ..	1	
	5220167	Screw, $\frac{5}{16}$ " UNF. × $\frac{11}{16}$ " } Vacuum cylinder ... ..	3	
	9077015	Washer, $\frac{5}{16}$ " copper } to body ... ..	3	
	5039343	Vacuum piston and rod ... ..	1	
	9079100	Nylon washer—Piston ... ..	1	
	5030694	*Locking ring—Vacuum piston seal ... ..	1	
	5039345	Return spring—Vacuum piston ... ..	1	
	5039340	End cover—Vacuum cylinder ... ..	1	
	5039341	*Gasket ... ..	1	
	39413061	Screw, No. 10 UNF. × $\frac{3}{8}$ " } End cover to ... ..	8	
	9564031	Nut, No. 10 UNF. ... } cylinder body ... ..	8	
	5042423	Cover—Element ... ..	1	
	5042424	Element ... ..	1	
	5042425	Seal ... ..	1	
	39413061	Screw, No. 10 UNF. × $\frac{3}{8}$ " } Filter to ... ..	1	
		Washer ... } Servo body ... ..		
	5042584	SERVO REPAIR KIT ... ..	1	Not supplied Includes items *
	5040239	SERVO PISTON REPAIR KIT ... ..	1	Includes items †
		Note. A replacement Servo Unit is available in part exchange for the original.		

BRAKES AND CONTROLS

Plate Ref.	Part Number	DESCRIPTION	No. per Veh.	REMARKS
	1206369 s/d by 1238338	Bracket } Servo unit	1	Series III, IV and V up to intro. 1238338
	1238338	Bracket	1	
	19506071	Screw, 3/8" UNF. x 3/4" } Servo to	3	Series III onwards
	9664242	Washer, 3/8" shakeproof } bracket	3	
	1206508	Clip } Servo motor	1	Series III, IV and V up to intro. 1237703
	1237703	Clip	1	
	9735126 s/d by 9775126	Screw, No. 12 UNF. x 1/2"	1	Series III
	9067018	Washer, 1/2" plain	1	
	9020051	Spire nut	1	
	19504081	Screw, 1/2" UNF. x 1" } Clip to support bracket	1	Series IV onwards
	9020030	Nut, 1/2" UNF. ...	1	
	9067018	Washer, 1/2" plain	1	
	5220683	Screw, 1/8" x 1/2"	3	
	5220684	Screw, 1/8" UNF. x 1/2" } Bracket to frame ...	1	Series III, IV and V up to intro. 5220684
	9664203	Washer, 1/8" shakeproof	3	
		WHEELARCH SUPPORT BRACKET—Servo Unit		Series V from B395004058
FG173	1206370	Vacuum pipe—Servo to flexible pipe	1	See Body Fittings
FG174	9166035	Flexible pipe—Vacuum pipe to check valve	1	
	9166032 s/d by 9166031	Flexible pipe—Servo to manifold	1	Up to intro. 9166032
		Note *. Series III from B9203887 G.T., B9204718 Soft Top, B9250157 C.K.D. South Africa up to B395001592.		See Note below *
	9166238	Flexible pipe—Servo to manifold	1	From B395001593
	1800539	Non-return valve banjo	1	
	9159540	Banjo bolt	1	
	9077040	Washer—Banjo	1	
		Note †. Series III from B9203887 G.T., B9204718 Soft Top, B9250157 C.K.D. South Africa onwards.		
FG175	P.116064	Check Valve—Brake servo	1	See Note below †
	1800540	Adaptor—Brake servo	1	
		Fitted to induction (intake) manifold		Up to intro. 1800540
	9077040	Gasket—Check valve/adaptor	1	
	P.43921	Clip—Servo hose	2	Series III from B9203887 G.T., B9204718 Soft Top, B9250157 CKD S/Africa and Series IV onwards
	9179015	Clip—Pipe to wheelarch	1	
	49313052	Tapping screw, No. 10 x 1/8" bdg. hd.—Clip	1	
	1206489	Clip—Pipe retaining	1	
	9732046	Screw, No. 6 x 1/2"—Clip to body	3	Series III onwards
	9179035 s/d by 9179036	Clip—Vacuum pipe to body (R.H.D.)	1	
	9166010	Rubber sleeve } Vacuum	2	Series III up to B9203886 G.T., B9204717 Soft Top, B9250156 CKD S/Africa
	9122253	Sleeve } pipe	2	
	9067008	Washer, 1/8" plain	2	
	9179047	Clip } Flexible pipe	1	Series III from B9203887 G.T., B9204718 Soft Top, B9250157 CKD S/Africa and Series IV only
	5220703	Nut, 3/8" UNF., plain } to engine	1	
	9166010	Rubber sleeve—Pipe	1	

**BRAKES AND CONTROLS**

Plate Ref.	Part Number	DESCRIPTION	No. per Veh.	REMARKS
E176	1201486	BRAKE PIPE (Line)	1	Series I & II up to B9104187 Series II from B9104188 & Series III up to B9203886 G.T., B9204717 Soft Top, B9250156 CKD S/Africa
G177	1206215	BRAKE PIPE (Line) Master cylinder	1	
	9159224 s/d by 1800628	Banjo union ... to supply tank	1	
	9159525	Banjo bolt ... (L.H.D.)	1	
	9077024	Washer—Banjo	2	
	1201284 s/d by 9163274	BRAKE PIPE (Line)	1	
DEFG178	9163274	BRAKE PIPE (Line) O/S (R.H.)	1	
	1201285 s/d by 9163276	BRAKE PIPE (Line)	1	
DEFG179	9163276	BRAKE PIPE (Line) N/S (L.H.)	1	
D180	1201286	BRAKE PIPE (Line)—R.H.D. } Five-way to	1	
E181	1201350	BRAKE PIPE (Line)—L.H.D. } master cylinder	1	Series I and II (not Le-Mans)
FG182	9163277	BRAKE PIPE (Line)—Five-way to Servo motor	1	
F183	9163278	BRAKE PIPE (Line)—R.H.D. } Servo motor to	1	Series III onwards Series III up to intro. 9163320/41
G184	9163282	BRAKE PIPE (Line)—L.H.D. } master cylinder	1	
	1201287 s/d by 1206163	BRAKE PIPE (Line) } Five-way to	1	Up to B9010756 From B9010757 up to B9115000
	1206163	BRAKE PIPE (Line) } double-ended union	1	
	1201485 s/d by 1206162	BRAKE PIPE (Line) } Union to rear	1	Up to B9010756 From B9010757 up to B9115000
	1206162	BRAKE PIPE (Line) } hose abutment	1	
DE185	1206519	BRAKE PIPE (Line) } Five-way	1	From B9115001 up to Series III
FG186	9163305	BRAKE PIPE (Line) } to rear hose	1	
	9163342 s/d by 9163382	BRAKE PIPE (Line) } abutment	1	Series III
	9163382	BRAKE PIPE (Line) } Five-way to	1	
	9163466	BRAKE PIPE (Line) } rear hose abutment	1	Series IV and V up to intro. 9163466 Series V from B395016900
	9163320	BRAKE PIPE (Line)—R.H.D. } Servo motor	1	
	9163341	BRAKE PIPE (Line)—L.H.D. } to	1	Series III from B9203887 G.T., B9204718 Soft Top, B9250157 CKD S/Africa and Series IV onwards
	9163329	BRAKE PIPE (Line)—L.H.D.—Servo motor to master cylinder	1	
	1201289	BRAKE PIPE (Line) } ...	1	Series III from B9203887 G.T., B9204718 Soft Top, B9250157 CKD S/Africa & Series IV only Automatic models
DE187	1206520	BRAKE PIPE (Line) } N/S (L.H.) } Rear three-way to	1	
FG188	9163281	BRAKE PIPE (Line) } wheel cylinder	1	Up to B9115000 From B9115001 up to Series III
		BRAKE PIPE (Line) } ...	1	
DE189	1201288	BRAKE PIPE (Line) } O/S (R.H.) } Rear three-way to	1	Series III and IV up to B94101457 Std. Wire Whls., B94101523 Std. Std. Whls., B94101829 O/D
FG190	9163280	BRAKE PIPE (Line) } wheel cylinder	1	
	9163355	BRAKE PIPE (Line)—Hose to rear brake	1	Series I and II Series III and IV up to B94101457 Std. Wire Whls., B94101523 Std. Std. Whls., B94101829 O/D
	9163356	BRAKE PIPE (Line)—R.H. wheel cylinder to L.H. wheel cyl.	1	
	9163428	BRAKE PIPE (Line)—Hose to rear brake	1	Series IV from B94101458 Std. Wire Whls., B94101524 Std. Std. Whls., B94101830 O/D
	9163429	BRAKE PIPE (Line)—R.H. wheel cyl. to L.H. wheel cyl.	1	
	9163389	BRAKE PIPE (Line)—Fluid reservoir to master cylinder	1	

**BRAKES AND CONTROLS**

Plate Ref.	Part Number	DESCRIPTION	No. per Veh.	REMARKS
	9166010	Sleeve ...	13	R.H.D.
	9166010	Sleeve ...	15	} L.H.D. For Brake pipe (line) 1201287 and 1201485 From B9010757 up to B9115000
	9179015	Clip—Brake pipe	2	
	49313052	Tapping screw ...	2	
	9122020	Rubber sleeve ...	2	
	9116185	Grommet ...	2	
	9152302	Double-ended union ...	1	Up to B9115000
DEFG191	9155004 s/d by 9155023	Five-way connector ...	1	Up to 9155023
	9155023	Five-way connector ...	1	From B94100001 BU, B94600001 CKD onwards
	5220693	Bolt, 1/4" UNF. x 1 1/8" } Five-way connector ...	1	} Series I and II Series III and IV up to B94101457 Std. Wire Whls., B94101523 Std., Std. Whls., B94101829 O/D Series I up to B9005984 Series I from B9005985 and Series II Series III and IV up to B94100436 Series IV from B94100437 up to P49043 Series IV from B94101458 Std. Wire Whls., B94101524 Std., Std. Whls., B94101830 O/D onwards up to B395002640 Series V from B395002641
	9660163	Washer, 1/4" spring } to body ...	1	
DE192	9155001	Three-way connector } Rear ...	1	
FG193	9155016	Three-way connector } Rear ...	1	
	19504081	Bolt, 1/4" UNF. x 1" } Rear three-way connector ...	1	
	9660163	Washer, 1/4" spring } to axle casing ...	1	
DE194	P.49219 s/d by 9168610	HOSE—Front and Rear ...	3	} Series I up to B9005984 Series I from B9005985 and Series II
	P.49350	HOSE—Front ...	2	
DE195	P.49219 s/d by 9168610	HOSE—Rear ...	1	} Series III and IV up to B94100436 Series IV from B94100437 up to P49043 Series IV from B94101458 Std. Wire Whls., B94101524 Std., Std. Whls., B94101830 O/D onwards up to B395002640 Series V from B395002641
FG196	P.49219 s/d by 9168610	HOSE—Front and Rear ...	3	
	P.49219 s/d by 9168610	HOSE—Rear ...	1	} From B94100437 onwards
	P.49043	HOSE—Rear ...	1	
	9168609	HOSE—Rear ...	1	} From B94100437 onwards
	9168610	HOSE—Front ...	2	
	1228660	Locating plate—Front hose ...	2	} Hose to brake pipe
	9077017	Gasket ...	3	
	9664242	Washer, 3/8" shakeproof }	3	
	9520060	Nut, 3/8" UNF. ... }	3	
		STOP LIGHT SWITCH ...		
	9077062	Gasket } Switch to five-way ...	1	} See Electrical Section No longer available From B9117615 onwards
	9077017	Gasket } connector ...	1	
D197	1201217	BRAKE PEDAL ...	1	} Series I Series II onwards up to B395002341
	1206070	BRAKE PEDAL R.H.D. ...	1	
F198	1236454	BRAKE PEDAL ...	1	} Standard transmission Series V from B395002342 Up to B9008170 From B9008171 up to Series II Series II onwards up to B395002286
	1201354	BRAKE PEDAL ...	1	
E199	1201689	BRAKE PEDAL ...	1	
	1206077	BRAKE PEDAL L.H.D. ...	1	} Series II onwards up to B395002286 Series V from B395002287
G200	1236455	BRAKE PEDAL ...	1	

BRAKES AND CONTROLS

Plate Ref.	Part Number	DESCRIPTION	No. per Veh.	REMARKS
DE201	P.109231 s/d by 5220379	Rubber pad	1	Up to the introduction of 1201583 From B9000200 up to Series II Series II onwards up to B395002341 R.H.D., B395002286 L.H.D. Series V from B395002342 R.H.D., B395002287 L.H.D.
	5220379	Rubber pad	1	
	1201583	Rubber pad } Brake pedal } Standard transmission	1	
	1206069	Rubber pad	1	
FG202	1217859	Rubber pad	1	
DEFG203	1223634	<b>BRAKE PEDAL—R.H.D.</b>	1	} Series IV only
	1223628	<b>BRAKE PEDAL—L.H.D.</b>	1	
	1203118	Rubber pad—Brake pedal	1	
DEFG204	P.108396	Shaft—Pedal	1	
DEFG205	9067075	Washer, 3/8" plain	1	
DEFG206	9086015	Washer, 3/8" spring	1	
DEFG207	9120073	Felt washer	1	
DE208	9086015	Washer, 3/8" spring	1	
FG209	1201281 s/d by 1206522	Fulcrum bracket	1	Up to B9115000 From B9115001
	1206522	Fulcrum bracket } 2B/110	1	
	19505111	Screw, 5/16" UNF. x 1 3/8"	2	} Up to B9006693
	9664203	Washer, 5/16" shakeproof	2	
	5220701	Nut, 5/16" UNF.	1	
	19505111	Screw, 5/16" UNF. x 1 3/8"	1	} From B9006694 up to B9115000
	9664203	Washer, 5/16" shakeproof	2	
	29505153	Stud, 5/16" UNF. x 1 7/8"	1	
	5220701	Nut, 5/16" UNF.	2	
	19105141	Bolt, 5/16" UNF. x 1 1/4"	1	} Up to B9115000
	9664203	Washer, 5/16" shakeproof	1	
	19105141	Bolt, 5/16" UNF. x 1 1/4"	2	} From B9115001 Standard transmission
	19105111	Bolt, 5/16" UNF. x 1 1/4"	1	
	9661203	Washer, 5/16" shakeproof	3	
	5220701	Nut, 5/16" UNF.	3	
	19105131	Bolt, 5/16" UNF. x 1 1/4"	2	} Series IV only
	19105141	Bolt, 5/16" UNF. x 1 1/4"	1	
DEFG210	9664203	Washer, 5/16" spring	2	} Automatic transmission
DEFG211	5220701	Nut, 5/16" UNF.	2	
FG212	9144022	Jaw pin	1	Series II, III and IV up to B9406700 Series IV from B9406701 onwards Up to 1201609 Series I from B9000009 and Series II Series III & IV up to 1235291 Series IV from B94103954 BU, B94600001 CKD onwards Series I and II Series III & IV up to 1235292 Series IV from B94103954 BU, B94600001 CKD onwards
	9067022	Washer, 5/16" plain	1	
	1206074 s/d by 9830013	Spring pin—Jaw pin	1	
	1228640 s/d by 9830013	Spring pin—Jaw pin	1	
DE213	P.116870	Return spring	1	Up to 1201609 Series I from B9000009 and Series II
	1201609	Return spring	1	
FG214	P.109313	Return spring	1	Series III & IV up to 1235291 Series IV from B94103954 BU, B94600001 CKD onwards
	1235291	Return spring } Brake pedal	1	
DE215	P.116871 s/d by 1235292	Cap—Return spring	1	Series I and II Series III & IV up to 1235292 Series IV from B94103954 BU, B94600001 CKD onwards
FG216	P.109314	Cap—Return spring	1	
	1235292	Cap—Return spring	1	

BRAKES AND CONTROLS

Plate Ref.	Part Number	DESCRIPTION	No. per Veh.	REMARKS	
D217 E218	1201208 s/d by 1201682	HANDBRAKE LEVER ... ..	1	See Data 2E/106 Series I and II	
	1201682	HANDBRAKE LEVER—R.H.D. ... ..	1		
	1201683	HANDBRAKE LEVER—L.H.D. ... ..	1		
		Lever ... ..		Not supplied	
DE219	K.14374	Knob ... ..	1	Series I and II	
DE220	5037268	Rod—Long ... ..	1		
DE221	K.20299	Fulcrum ... ..	1		
DE222	5037269	Return spring—Fulcrum lever ... ..	1		
DE223	5037273	Pin—Fulcrum lever ... ..	1		
DE224	5037270	Rod—Short ... ..	1		
DE225	5037271	Pawl ... ..	1		
DE226	5037272	Ratchet plate ... ..	2		
DE227	K.20302	Pivot pin—Ratchet plate ... ..	2		
DE228	P.83744	Washer—Pivot pin ... ..	1		
DE229	9812008	Stop-pin—Handbrake ... ..	1		
DE230	9144017	Jaw pin ... ..	2		
DE231	9067014	Washer, 1/4" plain } Handbrake lever to cable ... ..	1		
DE232	9086003	Washer, 1/4" spring } ... ..	1		
DE233	19506081 s/d by 5220694	Screw, 3/8" UNF. x 3/4" } Handbrake lever ... ..	2		
	9664242	Washer, 3/8" shakeproof } to frame ... ..	2		
	1201212	Grommet—Handbrake lever... ..	1		
		Shield—Handbrake lever ... .. (Not supplied)	1		
	9734086 s/d by 9774086	Tapping screw, No. 10 x 1/2"—Shield to frame ... ..	1		
FG234	1205846 s/d by 1228938	HANDBRAKE LEVER—Grey ... ..	1		Series III and IV up to B94100000 BU, B94600000 CKD
FG235	5038869 s/d by 5043129	Knob, nylon ... ..	1		
FG236	1228938	HANDBRAKE LEVER—Black ... ..	1		Series IV from B94100001 BU, } onw'ds B94600001 CKD }
FG237	5043129	Knob ... ..	1		
FG238	5042488	Knob guard ... ..	1		
	19106101 s/d by 19506101	Bolt, 3/8" UNF. x 1 1/4" } ... ..	2	Series III and IV up to B9407432 L.H.D., Std.; B94100397 R.H.D., Std.; B94100377 G.T.	
	9664242	Washer, 3/8" shakeproof } Handbrake ... ..	2		
		Distance piece ... } to body ... ..	2		
	19806121	Bolt, 3/8" UNF. x 1 1/4" } Handbrake and ... ..	3		
	9664242	Washer, 3/8" shakeproof } abutment bracket ... ..	3		
	1206269	Distance piece ... } to body ... ..	3		
	9067036	Washer, 3/8" plain—Bracket bolts ... ..	2	B94100378 G.T. } w'ds	
DE239	2212566	Cover—Handbrake—R.H.D. ... ..	1	Series III onwards	
	2212567	Cover—Handbrake—L.H.D. ... ..	1		
	9762105	Tapping screw, No. 6 x 3/8"—Fixing cover to body ... ..	2		
DE240	P.81476	HANDBRAKE CABLE ... ..	1	Series I and II	
		Rubber bellows ... ..	1	Not supplied separately Up to 1206456	
		Greaser ... ..	1		
	P.108393	Return spring ... ..	1		
DE241	1206456	Return spring ... ..	1	From B9110954 up to Series III	
DE242	P.65589	Cap—Return spring ... ..	2	Series I and II	

BRAKES AND CONTROLS

Plate Ref.	Part Number	DESCRIPTION	No. per Veh.	REMARKS
DE243	P.83410 s/d by 1216452	Jaw ... ..	1	Series I and II
DE244	9024007	Nut, $\frac{5}{16}$ " UNF., square	1	
DE245	9520050	Nut, $\frac{5}{16}$ " UNF., lock	1	
DE246	9144021	Jaw pin ... ..	1	
DE247	9086005	Washer, $\frac{5}{16}$ " spring	1	
DE248	9067025	Washer, $\frac{5}{16}$ " plain	2	
D249	9179255	Clip—R.H.D. ... ..	1	
E250	9179256	Clip—L.H.D. ... ..	1	
	9734086 s/d by 9774086	Screw, No. 10 $\times$ $\frac{1}{2}$ "	1	
DE251	P.80810	Abutment thimble—Front	1	
DE252	P.80667	Clip—Thimble	1	
	19505062	Screw, $\frac{5}{16}$ " UNF. $\times$ $\frac{3}{4}$ "	2	
	9664203	Washer, $\frac{5}{16}$ " shakeproof	2	
DE253	P.38024	Abutment thimble—Rear	2	
FG254	1206593	HANDBRAKE CABLE—Long	1	
FG255	1229750	HANDBRAKE CABLE	1	
FG256	1229782	Jaw ... ..	1	
FG257	9024007	Jaw nut ... ..	1	
FG258	9520050	Locknut ... ..	1	
FG259	9144021	Jaw pin ... ..	1	
FG260	9086004	Washer, $\frac{5}{16}$ " spring	1	
	9830009	Retaining pin ... ..	1	
FG261	9118531	Grommet } Handbrake	1	
FG262	9119613	Grommet } cable	1	
FG263	P.38024	Abutment thimble	1	
FG264	P.80667	Abutment clip ... ..	1	
	1206270	Distance piece ... ..	1	
	19505091	Bolt, $\frac{5}{8}$ " UNF. $\times$ $1\frac{1}{8}$ "	2	
	9664203	Washer, $\frac{5}{16}$ " shakeproof	2	
FG265	1224440	Abutment bracket—Handbrake cable	1	
FG266	P.38024	Abutment thimble	1	
FG267	9144053	Jaw pin ... ..	1	
FG268	9067025	Washer, $\frac{5}{16}$ " plain	1	
FG269	9830009	Retaining pin ... ..	1	
FG270	1202717	Sleeve—Handbrake cable	1	
F271	9179256	Clip—R.H.D. ... ..	1	
G272	9179255	Clip—L.H.D. ... ..	1	
	9734086 s/d by 9774086	Tapping screw, No. 10 $\times$ $\frac{1}{2}$ "—Fixing clip	1	
	49503082	Screw, No. 10 $\times$ $\frac{1}{2}$ " hex. hd.—Cable clip to frame	1	
	9744083	Tapping screw, No. 10 $\times$ $\frac{1}{2}$ "—Fixing clip	1	
	9020020	Spire Clip	1	
FG273	1206594	HANDBRAKE CABLE—Short	1	
	P.83410 s/d by 1216452	Jaw ... ..	2	
FG274	1216452	Jaw ... ..	2	
FG275	9144021	Jaw pin ... ..	2	
FG276	9086004	Washer, $\frac{5}{16}$ " spring	2	
FG277	9067023	Washer, $\frac{5}{16}$ " plain	2	
FG278	9830009	Retainer pin ... ..	2	
FG279	9024007	Jaw nut, $\frac{5}{16}$ " square	2	
FG280	9520050	Locknut, $\frac{5}{16}$ " UNF.—Jaws	2	

BRAKES AND CONTROLS

Plate Ref.	Part Number	DESCRIPTION	No. per Veh.	REMARKS
D281	1203030	BRACKET (Bushed)—R.H.D.	1	Series I and II
E282	P.108222	BRACKET (Bushed)—L.H.D. } Brake	1	
DE283	1201580	Lever (bushed)... } compensator	1	
DE284	P.101550	Shackle ... }	1	
DE285	9120026	Felt washer ... }	4	
DE286	P.83404	Plate ... }	2	
DE287	9086007	Washer, 3/8" spring } Shackle	2	
DE288	9540060	Nut, 3/8" ... }	2	
DE289	5220684	Screw, 5/16" UNF. x 3/8" }	1	
	9661203	Washer, 5/16" shakeproof }	1	
	5220701	Nut, 5/16" UNF. ... }	1	
	19506061	s/d by 5220686 Screw, 3/8" x 3/4" ... }	2	
	9661241	s/d by 5221254 Washer, 3/8" shakeproof }	2	
	1210253	Tapped strip—Compensator to rear axle ... }	1	
FG290	P.110493	LEVER ASSEMBLY—Brake compensator	1	
FG291	P.110494	Bush—Compensator lever	1	
FG292	P.109299	s/d by 1216451 Lever—Brake ... }	1	
FG293	5220684	Screw, 5/16" UNF. x 3/8" }	1	
FG294	9664203	Washer, 5/16" shakeproof }	1	
FG295	5220701	Nut, 5/16" UNF. ... }	1	
FG296	1216926	Anchor pin—Brake levers ... }	1	
FG297	1201206	s/d by 9071119 Washer, anchor pin ... }	1	
FG298	5220683	Screw, 5/16" x 1/2" ... }	2	
FG299	9664203	Washer, 5/16" shakeproof }	2	
	1224358	s/d by 1236732 BRAKE ROD ... }	1	
FG300	1236732	BRAKE ROD ... }	1	
	1224359	Bearing—Steady bracket—Brake rod (See also Rear Axle)	1	
	1202232	s/d by 9144471 Clip ... }	1	
	1202233	s/d by 9144473 Clip } Brake rod	1	
	9144471	Clip } to lever	1	
FG301	9144473	Clip }	1	
	1203035	BRAKE ROD—R.H.D. } Long	1	
	P.108231	BRAKE ROD—L.H.D. }	1	
	1203037	s/d by 1216198 BRAKE ROD—R.H.D. } Short	1	
	1203039	s/d by 1216199 BRAKE ROD—L.H.D. }	1	
	1203035	BRAKE ROD—R.H.D. AND L.H.D. } Long	1	
DE302	P.108231	BRAKE ROD—R.H.D. AND L.H.D. ... }	1	



BRAKES AND CONTROLS

Plate Ref.	Part Number	DESCRIPTION	No. per Veh.	REMARKS
	1203037 s/d by 1216198	BRAKE ROD—R.H.D. } ... ..	1	} Up to 1216198 and 1216199
	1203039 s/d by 1216199	BRAKE ROD—L.H.D. } ... ..	1	
D303	1216198	BRAKE ROD—R.H.D. } Short ... ..	1	} Series II from B9111165 R.H.D. Std., B9111226 L.H.D. Std., B9111241 R.H.D. O/D, B9111302 L.H.D. O/D up to Series III
E304	1216199	BRAKE ROD—L.H.D. } ... ..	1	
	9087046	Distance piece—Brake rod—Long ... ..	1	
DE305	P.83410 s/d by 1216452	Jaw ... ..	1	} Series I and II
DE306	P.101195 s/d by 9024007	Nut, $\frac{5}{16}$ " UNF., square } Brake rod ... ..	1	
DE307	9520050	Nut, $\frac{5}{16}$ " UNF., lock ... } —Long ... ..	1	
DE308	9144021	Jaw pin ... ..	1	
DE309	9086004	Washer, $\frac{5}{16}$ " spring } Brake ... ..	4	} Series I and II
DE310	9067023	Washer, $\frac{5}{16}$ " plain } rods ... ..	4	
DE311	1201561	Anti-rattle spring—Brake rods ... ..	2	
DE312	1203455	Clip—Spring to brake rod ... ..	2	} Series I and II up to B9111165 R.H.D. Std., B9111226 L.H.D. Std., B9111241 R.H.D. O/D, B9111302 L.H.D. O/D
	19503041	Bolt, No. 10 UNF. $\times \frac{1}{2}$ " } ... ..	2	
	9660121	Washer, $\frac{3}{16}$ " spring ... } Clip ... ..	2	
	5220700	Nut, No. 10 UNF. ... } ... ..	2	
	1203455	Clip—Spring to brake rod ... ..	1	} Series II from B9111165 R.H.D. Std., B9111226 L.H.D. Std., B9111241 R.H.D. O/D, B9111302 L.H.D. O/D up to Series III
	19503041	Bolt, No. 10 UNF. $\times \frac{1}{2}$ " } ... ..	1	
	9660121	Washer, $\frac{3}{16}$ " spring ... } Clip ... ..	1	
	5220700	Nut, No. 10 UNF. ... } ... ..	1	